

2200 ANSI Lumens

XGA Resolution

Picture in Picture



CP-730e

The Boxlight CP-730e offers the ultimate in flexibility and value.

A true powerhouse at **2200 ANSI LUMENS**, the CP-730e is ahead of the competition in features per dollar - bright, lightweight, **XGA RESOLUTION**, **HDTV COMPATIBILITY**, **TWO OPERATING MODES** (standard and economy), **PICTURE IN PICTURE**, automatic **CEILING MOUNT DETECTION**, **DVI-I CONNECTIVITY AND MONITOR LOOP THROUGH FUNCTIONALITY**. Call the digital projector specialists at **BOXLIGHT** today!

19332 Powder Hill Place

Poulsbo, WA 98370

800.762.5757

360.779.7901

www.boxlight.com

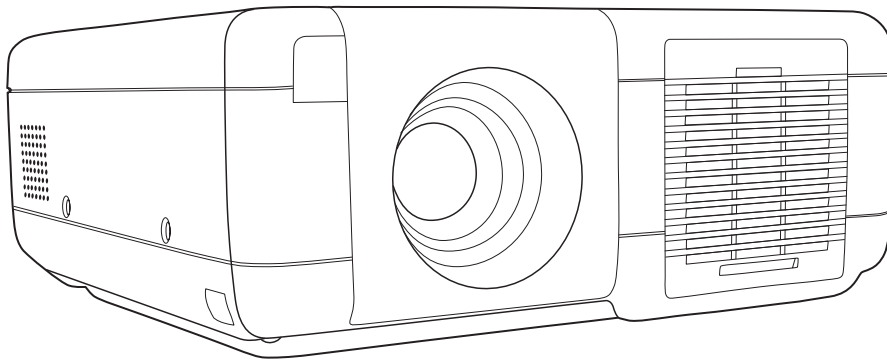
BOXLIGHT
Presenting a Better Way.

© 2004 BOXLIGHT Corporation. BOXLIGHT and the BOXLIGHT logo are registered trademarks of BOXLIGHT Corporation. All other marks are the property of their respective owners. Specifications are subject to change without notice. CP730e - 05.11.04

B O X L I G H T

CP-730e

p r o j e c t o r



- True 1024x768 XGA with compression up to 1280 x 1024 SXGA.
- Light weight, only 7 lbs. / 3.2kg.
- 2200 ANSI lumens (maximum).
- 27dB audible noise in Economy Mode.
- Digital Keystone Adjustment.
- Automatic Ceiling Mount Detection mode.
- Multiple inputs - DVI-I digital input.
- Economy Mode.
- Picture in Picture.

BOXLIGHT®
Presenting a Better Way

To contact BOXLIGHT

Direct	800.762.5757
Rental	800.736.6954
Education	800.689.6676
Government	800.497.4009
International	360.779.7901
Toll Free Fax	888.353.4242
Internet	www.boxlight.com

*Leasing options available!

Resolution:	1024 x 768 true XGA, with compression up to 1280 x 1024 SXGA	Diagonal Image Size:	36" - 260" / 0.914 - 6.6m
Brightness:	2200 ANSI lumens (maximum)	Keystone:	Vertical adjustment +/-15°, Horizontal adjustment +/-10°
Lamp:	150W	Adjustments:	On-board and remote
Display Type:	(3) 0.7" TFT polysilicon LCDs	Power Supply:	100-240V, 50/60Hz
Contrast Ratio:	500:1	Power Consumption:	275W
Colors:	16.7 million	Compatibility:	SXGA, XGA, SVGA, VGA, Mac
Aspect Ratio:	4:3, 16:9 compatible	Weight:	7 lbs. / 3.2kg
Inputs:	COMPUTER: (1) RGB D-sub, (1) DVI-I; VIDEO: (1) Composite, (1) S-Video, (1) Component; AUDIO: (1) Mini-jack audio	Dimensions (H x W x D):	3.7 " x 11.4" x 11.1" / 4.4" / 95 x 282 x 290mm
Outputs:	COMPUTER: (1) RGB Computer out; (1) USB mouse, (1) RS-232	FCC Rating:	Class B Certification
Audible Noise:	27dB in Economy Mode	Warranty:	Two-year parts and labor (120-day or 500-hours lamp warranty)
Audio:	1 x 2-watt speaker	Accessories Included:	Remote control, power cord, VGA cable, S-Video cable, Composite cable, USB Mouse cable, lens cap, User's manual, soft carry bag
Video:	PAL, SECAM, NTSC, 1080i, 720p, 480p	Optional Accessories:	One year extended warranty, ceiling mount plate, ceiling mount suspension pole, ceiling round flush mount kit, Soft carry case, hard carry case, Kensington Lock kit, ATA case, USB mouse cable, MAC adapter
Scan Frequency:	15 - 100kHz		
Vertical Refresh Rate:	43 - 120Hz		
Projection Lens:	Manual Zoom		

©2004 BOXLIGHT Corporation. Specifications subject to change without notice.