

DRAPER

www.draperinc.com
draper@draperinc.com

411 South Pearl St.
Spiceland, Indiana
U.S.A. 47385-0425
Tel. 765/987-7999
Fax 765/987-7142

VIC-115

Video Interface Control

Technical Data Sheet

USES: The VIC-115 replaces the standard single-station control switch for all screens or shades where a 115 volt trigger circuit is turned on to lower the product, and turned off to raise the product.

COMPATIBILITY: The VIC-115 is intended as the sole control, and cannot be used with any other control, except the optional override switch (VIC-OS).

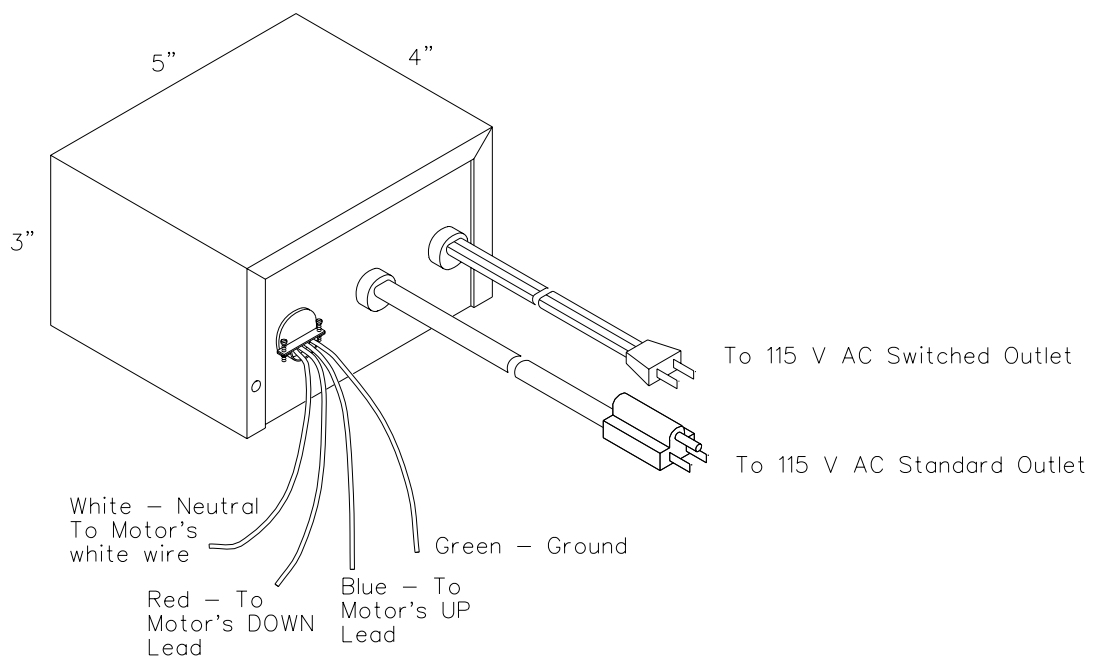
CONTACTS: Single-Pole, Double-Throw (Common, Normally Closed, Normally Open).

RATING: Contacts: 240 Volts, 10 A; 28 VDC, 15 A, UL recognized, CSA recognized.
Coil: 110/120 VAC

DESCRIPTION: A relay with COM/NC/NO contacts, and a 120 V coil, housed in a metal box. Box measures 3" x 4" x 5" and has three pigtails leading from it:

- A 7-1/2 ft. black cord with 3-pronged plug for constant 115 VAC.
- An 8-1/2 ft. white cord with 2-pronged plug for switched 115 VAC.
- Four 6" wire leads for the motor: blue, red, white, green (up, down, neut., grnd).

ILLUSTRATION:



ISSUED: 5-12-98