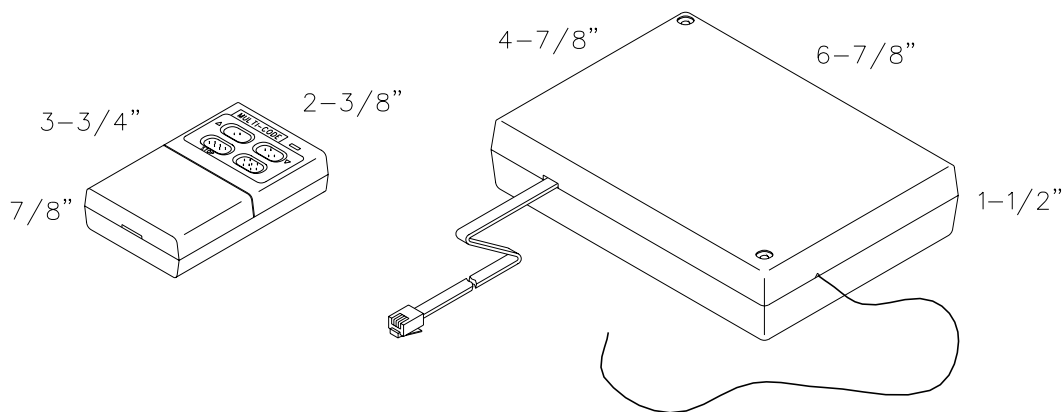


DRAPERwww.draperinc.com
draper@draperinc.com411 South Pearl St.
Spiceland, Indiana
U.S.A. 47385-0425
Tel. 765/987-7999
Fax 765/987-7142**WRT/R**
Wireless Transmitter/Receiver (RF)**Technical Data Sheet****USES:** Up, Down and Stop control of an LVC III (low voltage control module) via RF (radio frequency).**COMPATIBILITY:** The WRT/R is part of the LVC III family, the LVC III being the necessary component.
Other LVC III family members may be connected to the LVC III simultaneously:
a. LVC-S low voltage wall switch (or Auxiliary control systems employing "dry" contacts).
b. IRT/R infrared remote control package.
The transmitter part of this package, the WRT, is available as a replacement part.**CONTACTS:** None. This package merely consists of the transmitter and receiver. The contacts would be part of the LVC III.**RATING:** Operates on a frequency of 300 Mhz, with programmable access codes (by means of dip switches) to individualize each set. Transmitter operates on one 9-volt battery.**DESCRIPTION:** The WRT/R is a package consisting of a receiver and hand-held transmitter which control an LVC III (low voltage control module) via radio frequency. Its range with fresh batteries is approx. 75 feet.
The transmitter is approx. 2-3/8" wide, 3-3/4" long, and 7/8" thick, and includes a removable belt clip. Operates on one 9-volt battery (included).
The receiver is approx. 6-7/8" x 4-7/8" x 1-1/2", with a wire antenna approx. 8" long, and a 6' long, 4-conductor modular cable, which plugs into a telephone-type socket on the LVC III.**ILLUSTRATION:****ISSUED:** 5-12-98