

CP-S220W

For big presentations
in the smallest spaces



www.hitachiprojectors.com/220

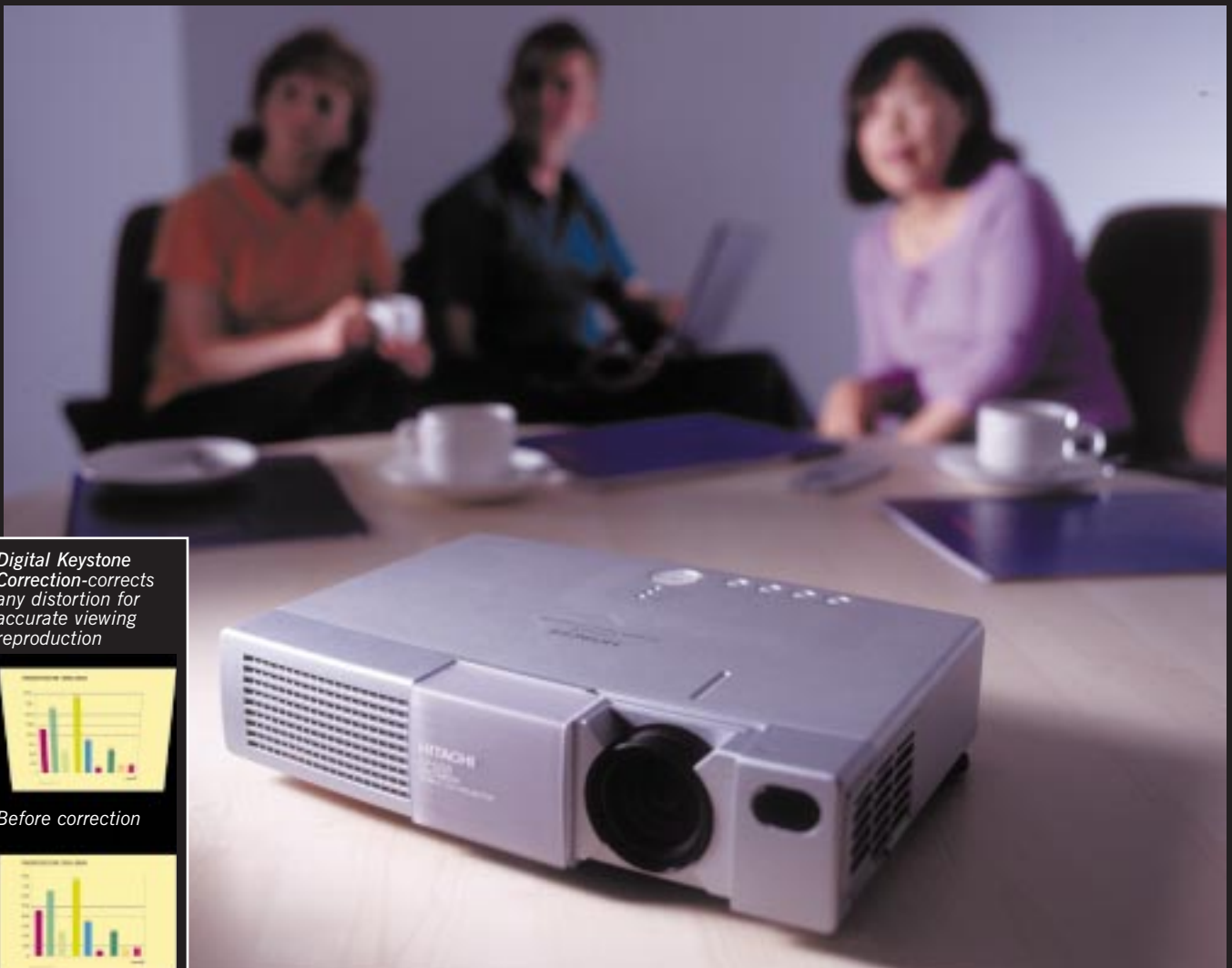
ultra portable data projector

HITACHI

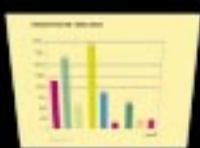
more than hitech

ultra portable data + video projector with poly silicon LCD

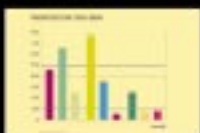
- Only 2.35kgs and A4 size makes it ideal for use in small venues
- Short throw with wide angle zoom lens
- Highly portable for mobile use
- Low acoustic noise for office use
- Produces a light output of 800 ANSI Lumens
- High quality video
- Advanced features such as digital keystone correction



Digital Keystone Correction-corrects any distortion for accurate viewing reproduction



Before correction



After correction

Key benefits

Versatility

The CP-S220W has a unique feature: a short throw lens distance of 1.5m (60") from lens to screen. It can therefore be used in very small rooms, and there is no compromise in picture quality, size etc, while the zoom lens means it can also be used in larger venues. Electronic keystone correction ensures a perfect square picture wherever the projector is placed.

Compatibility

The projector can accept a wide range of computer signals: XGA is remapped to the CP-S220W's native SVGA resolution by use of new sophisticated LSI to give a perfect picture whatever the source.

Portability

At 2.35kgs the CP-S220W weighs less than a portable PC, currently the lightest and smallest in its class. It occupies no more space than a sheet of A4 (28.9W x 6.0H x 21.0D). And it's supplied with a soft carry-case or optional aluminium flight case.

Low noise

Less than 32dB, making it ideal for small presentation rooms and offices.

Brightness

Offers the level of light output you would expect from a larger projector: 800 ANSI Lumens.

Remote control

All functions of the picture can be controlled by the smallest remote control available with any projector.

Advanced features

Many of the features usually found only in desktop models: zoom lens, digital keystone correction, digital magnification, picture freeze, built-in internal speaker, high quality video and convenient lens cover.



Applications

- The size and features of the CP-S220W make it ideal for travelling sales people and presenters
- Its low noise makes it suitable for office use as well as small presentation rooms
- It is also suitable for the home cinema market due to its video performance, low acoustic noise and price
- It is easy to carry and simple to set up, making it attractive to even the most inexperienced user
- It gives a high quality projected image for a professional presentation wherever it's used

Aluminium flight case



CP-S220W Technical Specifications

OPTICAL

Optical Structure	3 LCD panels, one projection lens, RGB shutter method
LCD Panel	0.7", P-Si TFT panel x 3, stripe pixel configuration 800 dots x 600 lines x 3 panels
Lens	F2.0 ~ 2.3 (f=17.7 ~ 21.2mm) Manual zoom 1:1.2 Manual focus
Lamp	130W UHB
Lamp Life	2000 hours
Brightness	800 Lumens
Contrast Ratio	200:1
Focus Distance	0.7m ~ 9m
Display Size	30" ~ 300"
Keystone Correction	Fixed 6:1 upward shift, normal at 12° ~ 10° projection angle
Colour	16.7m colours

COMPATIBILITY

Resolution

Video	600 TV Lines
RGB	800 dots x 600 Lines - SVGA
Signal	
Video	NTSC, NTSC 43, PAL (-BGDHI), SECAM, PAL-M, PAL-N, PAL60
RGB	IBM Compatible VGA
Audio	
Speakers	1.0W x 1
Input	(3.5 mini jack X 1 (RGB, video common use))
Additional Features	Mirror reverse image Up-side down image
Plug & Play	DDC1 / 2B (VESA) for RGB input

CONNECTORS

Interface connectors

Video Input	Composite Video - RCA jack x 1 S-Video - Mini-Din 4 pin x 1
RGB Input	Audio - Mini jack x 1 (RGB, video common use) Analog RGB - 15 Pin D-Sub x 1. Audio - Mini jack x 1 (RGB, video common use)
Control	15 Pin D-Sub x 1 RS-232C (serial)

POWER

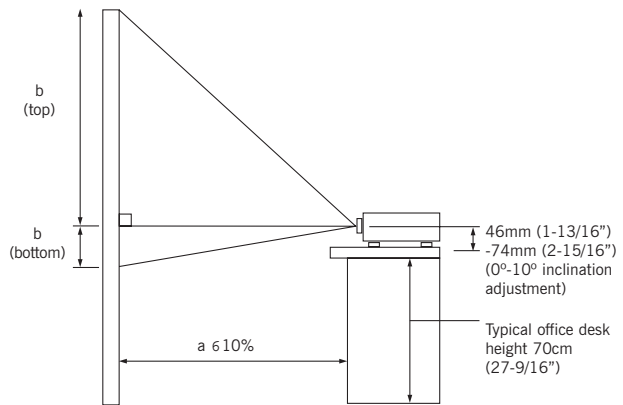
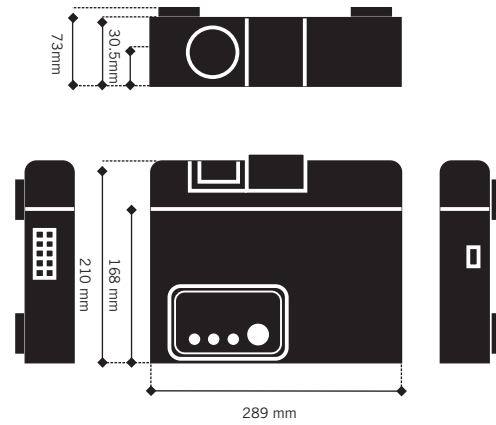
Power Supply	AC90~132V / 198 ~ 264 (50/60), 3 wire grounded
Power Consumption	100 ~ 120 V / 220 ~ 240V, 50-60 Hz 100 V, 50/60 H

PHYSICAL SPECIFICATIONS

Dimensions (WxHxD)	28.9 x 6.0 x 21.0cm (10.9" x 2.4" x 8.3")
Weight	2.35kg (5lbs)
Noise Level	Less than 32dB

ACCESSORIES

Included	Power cord (US, UK, EUROPE) x 1 RGB cable (2m) x 1 Mac adapter x 1 RCA video cable (2m) x 1 RCA/mini audio cables x 1 Wireless remote control unit x 1 AA Batteries x 2
Optional	Soft case/flight case (FLC200)



a: LCD projector-to-screen distance
b: Distances from lens centre position to screen top/bottom

Screen Size"	a min	a max	b (bottom)	b (top)
30	0.7m (28")	0.9m (34")	7cm (3")	39cm (15")
40	0.9m (37")	1.2m (46")	9cm (3")	52cm (21")
50	1.2m (47")	1.5m (58")	11cm (4")	65cm (26")
60	1.5m (59")	1.8m (69")	13cm (5")	78cm (31")
70	1.7m (67")	2.1m (81")	15cm (6")	91cm (36")
80	1.9m (77")	2.4m (93")	17cm (7")	105cm (41")
100	2.4m (96")	2.9m (116")	22cm (9")	131cm (51")
110	2.7m (106")	3.2m (128")	24cm (9")	144cm (57")
120	2.9m (116")	3.5m (139")	26cm (10")	157cm (62")
150	3.7m (145")	4.4m (174")	33cm (13")	196cm (77")
200	4.9m (194")	5.9m (233")	44cm (17")	261cm (103")
300	7.4m (292")	8.9m (350")	65cm (26")	392cm (154")

- All brand or product names are trademarks or registered trademarks of their respective owners
- Design and specifications are subject to change without notice

Hitachi Information Media Group, Dukes Meadow,
Millboard Road, Bourne End, Bucks., SL8 5XF, U.K.
Tel: +44 (0) 1628 643000
Fax: +44 (0) 1628 643400