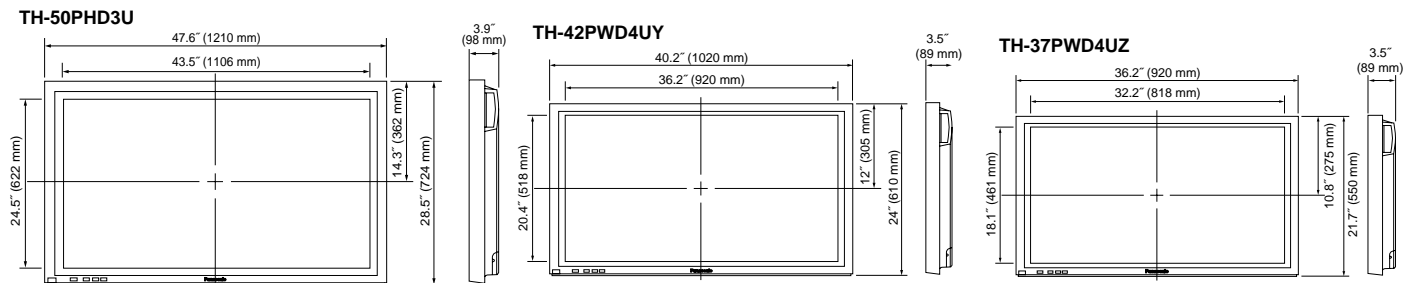


Panasonic

Specifications

	TH-50PHD3U	TH-42PWD4UY	TH-37PWD4UZ
DISPLAY			
Screen Size	50 (127 cm) diagonal	42 (106 cm) diagonal	37 (94 cm) diagonal
Screen Aspect	16 : 9 Wide	16 : 9 Wide	16 : 9 Wide
Number of Pixels	1,049,088 (1366 x 768) pixels	408,960 (852 x 480) pixels	408,960 (852 x 480) pixels
Pixel Pitch	0.81 mm	1.08 mm	0.96 mm
Displayable Colors	16.77 million colors	16.77 million colors	16.77 million colors
Contrast Ratio	3000 : 1	3000 : 1	3000 : 1
Brightness	500 cd/m ² (panel), 300 cd/m ² (set)	780 cd/m ² (panel), 400 cd/m ² (set)	650 cd/m ² (panel), 330 cd/m ² (set)
Color System	PAL/SECAM/NTSC/PAL 60Hz	PAL/SECAM/NTSC/PAL 60Hz	PAL/SECAM/NTSC/PAL 60Hz
Audio Output	16 W (8 W x 2)	16 W (8 W x 2)	16 W (8 W x 2)
On-Screen Display	US English/UK English/Spanish/French/ German/Italian/Japanese	US English/UK English/Spanish/French/ German/Italian/Chinese	US English/UK English/Spanish/French/ German/Italian/Chinese
Screen Coating	AR (Anti-Reflection) Coating	AR (Anti-Reflection) Coating	AR (Anti-Reflection) Coating
TERMINALS			
Composite Video Input	BNC coaxial x 1, 1Vp-p/75 ohms	BNC coaxial x 1, 1Vp-p/75 ohms	RCA phono type x 1, 1Vp-p/75 ohms
Composite Video Output		BNC coaxial x 1 (loop-through)	
S-Video Input	S terminal x 1, Y: 1Vp-p/75 ohms, C: 0.286Vp-p/75 ohms	S terminal x 1, Y: 1Vp-p/75 ohms, C: 0.286Vp-p/75 ohms	S terminal x 1, Y: 1Vp-p/75 ohms, C: 0.286Vp-p/75 ohms
Audio Input (for Video)	RCA phono type connectors (L, R) (1 set)	RCA phono type connectors (L, R) (1 set)	RCA phono type connectors (L, R) (1 set)
RGB Input (PC)	Mini D-sub 15-pin x 1 (VGA, SVGA, XGA display & SXGA, UXGA compressed display) fH: 15.6 110 kHz; fV: 48 120 Hz	Mini D-sub 15-pin x 1 (VGA display & SVGA, XGA, SXGA, UXGA compressed display) fH: 15.6 110 kHz; fV: 48 120 Hz	Mini D-sub 15-pin x 1 (VGA display & SVGA, XGA, SXGA, UXGA compressed display) fH: 15.6 110 kHz; fV: 48 120 Hz
Audio Input (for PC)	M3 stereo plug	M3 stereo plug	M3 stereo plug
Component/R,G,B Input	BNC coaxial x 5	BNC coaxial x 5	RCA phono type x 5
RGB, HD, VD	Video: 0.7Vp-p/75 ohms; Sync: TTL level/0.3Vp-p (75 ohms); H, V Separate Sync/Composite Sync; fH: 15.6 110 kHz; fV: 48 120 Hz		
Y, Pb (Ca), Pr (Cr)	Y: 1Vp-p/75 ohms; Pb (Ca), Pr (Cr): 0.7Vp-p/75 ohms; fH: 15.75/31.5/33.7/45 kHz		
Audio Input (for Component/R,G,B)	RCA phono type connectors (L, R) (1 set)	RCA phono type connectors (L, R) (1 set)	RCA phono type connectors (L, R) (1 set)
Serial (RS232C)	D-Sub 9-pin	D-Sub 9-pin	D-Sub 9-pin
GENERAL			
Power Supply	AC 120 V, 50/60Hz	AC 120 V, 50/60Hz	AC 120 V, 50/60Hz
Power Consumption	530 W	295 W	225 W
Dimensions (W x H x D)	47.6 x 28.5 x 3.9 (1210 x 724 x 98 mm)	40.2 x 24 x 3.5 (1020 x 610 x 89 mm)	36.2 x 21.7 x 3.5 (920 x 550 x 89 mm)
Weight	99.2 lbs. (45.0 kg)	65 lbs. (29.5 kg)	55.1 lbs. (25.0 kg)
Operating Temperature	34°F 104°F (0°C 40°C)	34°F 104°F (0°C 40°C)	34°F 104°F (0°C 40°C)
Operating Humidity	20% 80% (Non condensation)	20% 80% (Non condensation)	20% 80% (Non condensation)
EMI Regulations	FCC Part 15 Class A Digital Equipment		
Safety Standards	UL6500/C-UL (CAN/CSA-E65-94)		

Dimensions



Optional Accessories

Detachable Stereo Speakers



TY-SP50PHD3W
(for TH-50PHD3U)

Configuration:
2-way, 3-speaker
Dimensions (W x H x D):
3.9" x 28.5" x 3.5"
(100 x 724 x 89 mm)



TY-SP42PWD3W
(for TH-42PWD4UY)

Configuration:
2-way, 3-speaker
Dimensions (W x H x D):
3.9" x 24" x 3.5"
(100 x 610 x 89 mm)



TY-SP37P4W-K
(for TH-37PWD4UZ)

Configuration:
2-way, 3-speaker
Dimensions (W x H x D):
3.9" x 21.7" x 3.5"
(100 x 550 x 89 mm)

DVI Terminal Board

TY-42TM4D
(for TH-42PWD4UY)



* Terminal boards must be installed by professional service personnel.

Panasonic Broadcast & Television Systems Company

Division of Matsushita Electric Corporation of America

Executive Office: 3330 Cahuenga Blvd W., Los Angeles, CA 90068 (323) 436-3500

EASTERN ZONE: One Panasonic Way 4E-7 Secaucus, NJ 07094 (201) 348-7621

Mid-Atlantic/New England: One Panasonic Way 4E-7 Secaucus, NJ 07094 (201) 348-7621

Southeast Region: 1225 Northbrook Parkway, Ste 1-160 Suwanee, GA 30024 (770) 338-6835

Central Region: 1707 N Randall Road E1-C-1, Elgin, IL 60123 (847) 468-5200

WESTERN ZONE: 3330 Cahuenga Blvd W., Los Angeles, CA 90068 (323) 436-3500

Government Marketing Department: 52 West Gude Drive, Rockville, MD 20850 (301) 738-3840

Panasonic Sales Company

Division of Matsushita Electric of Puerto Rico, Inc.

San Gabriel Industrial Park, 65th Infantry Ave., K.M.9.5, Carolina, PR 00630 (787) 750-4300

Panasonic Canada Inc.

5770 Ambler Drive, Mississauga, Ontario L4W 2T3 (905) 624-5010

Have assembly and installation done by a qualified installer. Simulated pictures on screens.
Specifications are subject to change without notice. Printed in Japan KYCE 2026





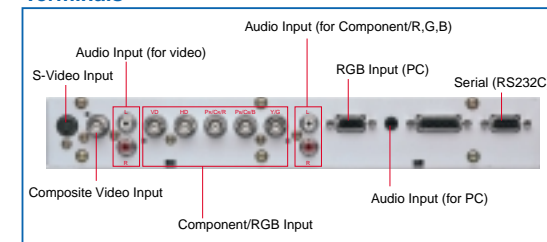
TH-50PHD3U

50-inch (127 cm) diagonal
High Definition Plasma Display

- Brightness: 500 cd/m² (panel), 300 cd/m² (set)
- Contrast Ratio: 3000 : 1
- HDTV Monitor
- 1366 x 768 XGA Resolution (UXGA Compatible)



Terminals



The characters in red are added for explanation.



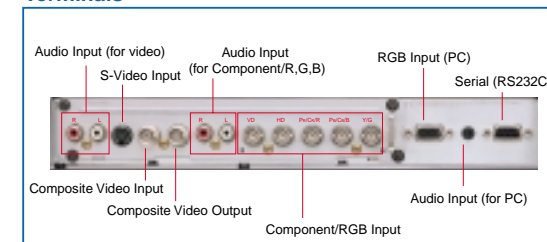
TH-42PWD4UY

42-inch (106 cm) diagonal
Wide Plasma Display

- Brightness: 780 cd/m² (panel), 400 cd/m² (set)
- Contrast Ratio: 3000 : 1
- VGA Resolution (UXGA Compatible)
- Fan-Less Quiet Operation



Terminals



The characters in red are added for explanation.

*Cooling Fan Kit (Four Fans) TY-UPK110
(Optional for TH-42PWD4UY)*



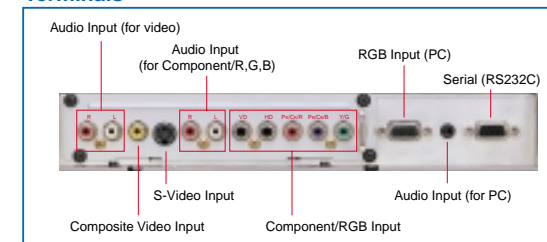
TH-37PWD4UZ

37-inch (94 cm) diagonal
Wide Plasma Display

- Brightness: 650 cd/m² (panel), 330 cd/m² (set)
- Contrast Ratio: 3000 : 1
- VGA Resolution (UXGA Compatible)
- Fan-Less Quiet Operation



Terminals



The characters in red are added for explanation.



Vertical Display Models Also Available

TH-50PHD3UV

50-inch (127 cm) diagonal High Definition Plasma Display

TH-42PWD4VUY

42-inch (106 cm) diagonal Plasma Display

Models offering the same basic performance and functions as our ordinary horizontal display models plus a cooling fan that enables a vertical display configuration are also available. They are ideal as electronic signboards for storefronts or public places. Please consult your local sales company for details. (These models are produced upon request.)



Panasonic

TH-50PHD3U

50-inch (127 cm) diagonal High Definition Plasma Display

TH-42PWD4UY

42-inch (106 cm) diagonal Wide Plasma Display

TH-37PWD4UZ

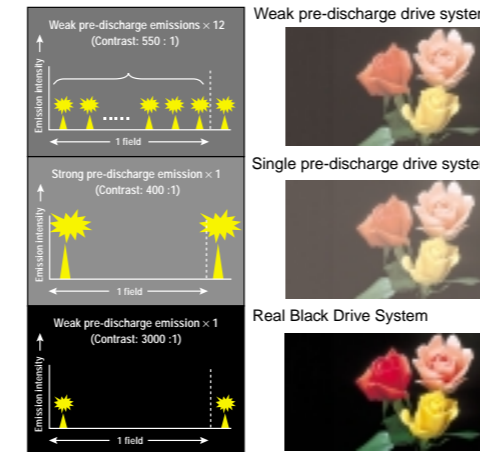
37-inch (94 cm) diagonal Wide Plasma Display

Advanced Digital Processing

Real Black Drive System

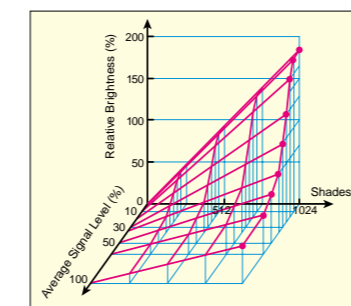
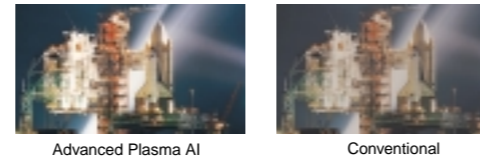
Panasonic's original Real Black Drive System delivers a significant improvement in black reproduction. Conventional plasma displays tend to illuminate blacks, which lowers the contrast. In Panasonic plasma displays, however, the pre-discharge emission intensity is greatly reduced, and the number of emissions per field is cut from the usual 12 to 1. This dramatically reduces black levels and provides deeper, richer blacks. It also achieves the industry's highest contrast*, with a 3000 : 1 contrast ratio.

* When there is no peripheral illumination.



Advanced Plasma AI (Adaptive Brightness Intensifier)

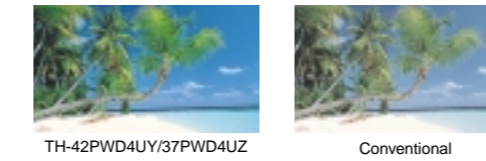
Panasonic's unique Advanced Plasma AI increases the discharge cycles for dark scenes, and produces extremely precise control of the brightness level. The result is an unprecedented brightness (panel) of 780 cd/m² for the TH-42PWD4UY, 650 cd/m² for the TH-37PWD4UZ, and 500 cd/m² for the TH-50PHD3U. Panasonic plasma display greatly expands the dynamic range of all images, from black to white peak. You get pictures that are exceptionally sharp, natural looking, and bright.



Advanced Digital Signal Processing

• Twice as Many Shades of Gray

Because models TH-42PWD4UY and 37PWD4UZ can reproduce approximately 1,024 shades* — twice as many as our previous systems — they offer far superior color gradation, with no banding or coarse transitions. Unlike most conventional plasma displays, Panasonic plasma display faithfully reproduces low-light portions of an image. * 512 shades for the TH-50PHD3U.



• Improved Moving Pictures

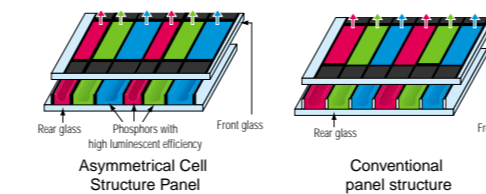
Panasonic plasma display provides smooth, natural-looking moving pictures with excellent detail thanks to greatly improved precision in the False-Edge Predictor circuit. This circuit identifies areas where a moving picture is subject to degradation and dramatically reduces the picture noise there.

• 3 Dimensional Progressive Scan

This function turns the interlaced signals used in present broadcasts into the progressive scan signals for optimal performance in the dot matrix system of plasma displays. Our 3 Dimensional Progressive Scan extracts the interpolated pixel data with the highest correlation from a total of 10 lines of image information for three fields (the present field and the fields before and after). This greatly decreases the blurry motion that tends to occur with conventional systems, giving you clear, natural moving pictures.

Asymmetrical Cell Structure Panel

Panasonic plasma display employs a panel with a unique asymmetrical cell structure that achieves both high brightness and crisp whites — a combination not possible with previous systems. The asymmetrical arrangement of the red, blue and green cells that control color reproduction results in a dramatically improved light-emitting balance of the three primary colors. This reproduces purer whites while maintaining a high level of brightness. The use of a wavelength-selective filter on the front panel and new green phosphors also expands the range of color reproduction, resulting in rich, natural color expression.



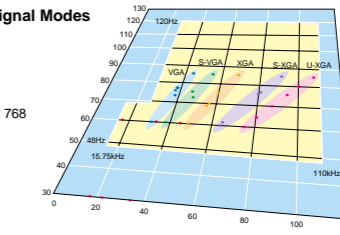
Multimedia Display

UXGA Compatible

To assure compatibility with various PC display modes up to UXGA, Panasonic plasma display automatically switches the scanning frequency to match the input signal. It offers a horizontal scanning rate of 15.6 kHz up to a very high 110 kHz, and a vertical scanning rate of 48 Hz to 120 Hz. The TH-50PHD3U features ultra-high resolution of 1366 x 768 pixels and can display VGA, SVGA and XGA as well as down-converted SXGA and UXGA modes.

Compatible PC Signal Modes

VGA: 640 × 480
SVGA: 800 × 600
XGA: 1024 × 768
SXGA: 1280 × 1024
SXGA (16 : 9): 1280 × 768
UXGA: 1600 × 1200



HDTV Monitor (TH-50PHD3U)

Panasonic plasma display lets you take advantage of the superior picture quality available from today's most advanced media. You can connect component video (Y, Pb, Pr) inputs to the unit and view digital TV broadcasts in either HDTV (1080i or 720p), EDTV (480p) or SDTV (480i) formats. The 1366 x 768 resolution of the TH-50PHD3U fully reproduces high-definition pictures from 720p HDTV signals.

* In order to view DTV programming, the plasma display must be connected to a separate DTV digital receiver.

DVI Connection (Optional for TH-42PWD4UY)

The TH-42PWD4UY can be equipped with an optional DVI (Digital Visual Interface) terminal board for direct digital input of RGB signals. DVI connection minimizes the data transfer distortion and sync problems that are common in conventional analog transfers. It also eliminates the need for tedious picture adjustments.

Quiet Operation

We increased the panel's heat radiation efficiency, eliminating the need for a fan — and eliminating fan noise from the TH-42PWD4UY/37PWD4UZ models. This "silence engineering" gives you the kind of quiet operation that makes for a more pleasant viewing experience.

Carrying Handle

Panasonic plasma display is equipped with functional carrying handles on the rear side. You can move and install the display unit with the minimum of effort.

RS232C Control

Operation can be controlled by a personal computer via the plasma display's built-in RS232C interface. This serial interface makes it possible to control a variety of sources as a single system.

Screen Savers (TH-42PWD4UY/37PWD4UZ)

Select from a total of three screen savers to minimize the risk of uneven phosphor aging. The White Bar Scroll is designed for ordinary still-image displays, Screen Reversal is for text-screen displays, and Side Panel Adjustment is for 4:3 mode images. All three can be started up in manual mode, or they can be set to automatically start/stop at preset times in timer mode or for preset periods in interval mode.

Enlarged Images for Multi-Screen Viewing (TH-42PWD4UY/37PWD4UZ)

The built-in image-enlarging function simplifies 4 (2 x 2) or 9 (3 x 3) multi-screen displays. The location of the enlarged images can be quickly and easily set by number on the remote control.

* The image-enlarging function operates on video signal and on PC signal up to SVGA mode. However, a normal display may not be obtained with some PC signals.

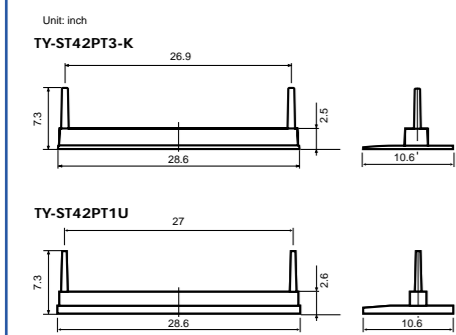
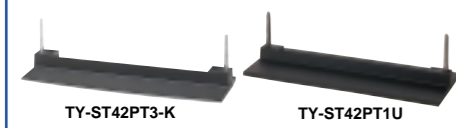


Set-Up Functions for Easier Professional Use

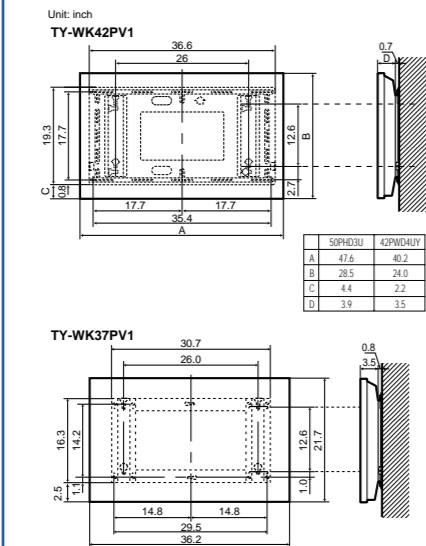
- **On-Screen Display Off:** Cancels the on-screen display when you are switching input sources or there is no signal being input.
- **Initial Input Set:** Sets the input source (video, component video, RGB, PC) for when the power is turned on.
- **Initial Volume Set:** Sets the volume level for when the power is turned on.
- **Maximum Volume Set:** Prevents the volume from exceeding the set level.
- **Fixed Input Selection:** "Locks" the input setting (video, component video, RGB, PC) so it cannot be inadvertently switched.
- **Restricted Button Operation:** Disables the front panel buttons (volume, input). Either button, or both, can be disabled.
- **Studio W/B:** Sets the color temperature for camera reshooting (3200K).
- **On/Off Timer Set:** Automatically turns the power on or off at preset times (TH-42PWD4UY/37PWD4UZ).
- **Remote Control User Level Set:** Restricts the operation of the remote control. You can select User 1, which allows only basic operations, or User 2, which allows only power on/off (TH-42PWD4UY/37PWD4UZ).

Optional Mounting Components

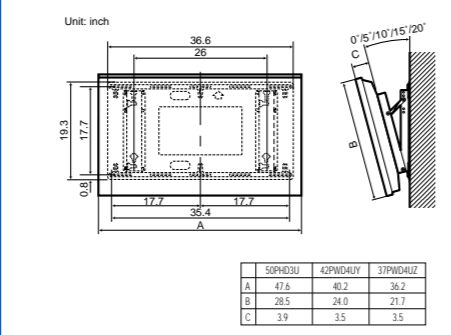
Pedestal
TY-ST42PT3-K (for TH-42PWD4UY/37PWD4UY)
TY-ST42PT1U (for TH-50PHD3U)



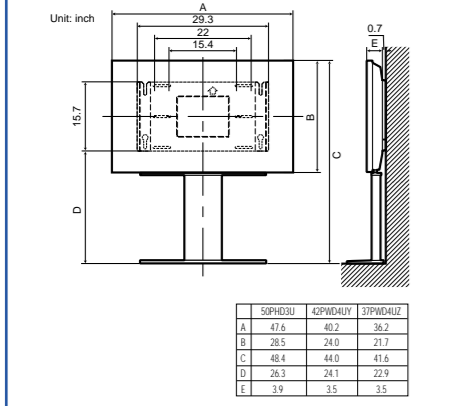
Wall-hanging bracket (vertical)
TY-WK42PV1 (for TH-50PHD3U/42PWD4UY)
TY-WK37PV3 (for TH-37PWD4UZ)



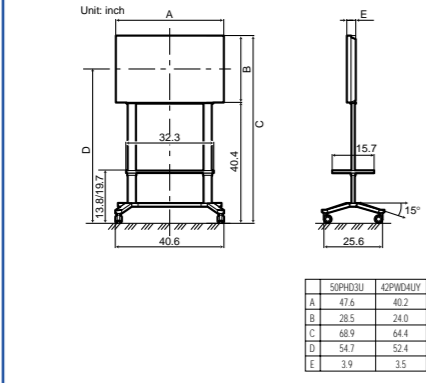
Wall-hanging bracket (angled) TY-WK42PR1



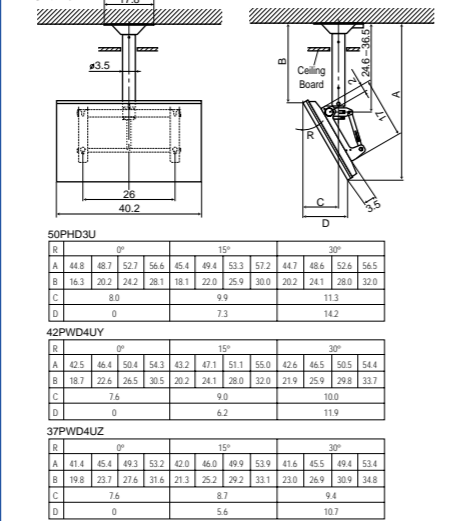
Wall stand TY-ST42PW1



Mobile stand TY-ST42PF3 (for TH-50PHD3U/42PWD4UY)



Ceiling-hanging bracket TY-CE42PS1



Panasonic Plasma Display: Images that Mean Business

Panasonic Plasma Display is leading a revolution in visual image technology. Our newly developed Real Black Drive System and Advanced Plasma AI technologies combine to achieve the industry's brightest picture and highest contrast. With razor-sharp pictures and vivid, natural color on a wide screen, the Plasma Display brings tremendous impact to business, communications, entertainment, and public display applications. And, of course, it comes with Panasonic's renowned quality and reliability. Business communications is changing — and the new Panasonic Plasma Display is lighting the way.

Medical Facilities *Corporate Environments*
Commercial Facilities *Educational Facilities* *Transportation Facilities*

