



**SUGGESTED SPECIFICATIONS:** \_\_\_\_\_ projection screens, \_\_\_\_\_ (H) x \_\_\_\_\_ (W), size, electrically operated 120 volt (60 Hz.) 1.2 amp motor. Shall have specially designed motor mounted inside the roller, to be three wire with ground, quick reversal type, oiled for life, with automatic thermal overload cutout, integral gears, capacitor and an electric brake to prevent coasting. To have pre-set but adjustable limit switches to automatically stop picture surface in the "up" and "down" position. The roller to be of rigid aluminum, 1-1/2" diameter. Case to be rectangular in shape, 22 gauge embossed steel with integral hanger brackets and rings for installation on wall or on ceiling. Screen surface shall be flame retardant and mildew resistant glass beaded or matte white with black masking borders standard. Screen shall be complete with 3' control cable to operate switch built into line and 6' power cable (2-wire plus ground) from switch to three prong plug. To be listed by Underwriters' Laboratories and CSA.



**VIDEO FORMAT DIMENSIONS**

Sizes		A - Overall Length of Case		B - Distance Between Hanger Eyes		Approx. Ship. Wt.	
H x W	Cm	In.	Cm	In.	Cm	Lbs.	Kg
60" x 60"	152 x 152	68-3/8"	173.70	67-5/8"	171.80	26	11.79
70" x 70"	178 x 178	78-3/8"	199.10	77-5/8"	197.20	29	13.15

Specifications subject to change without notice.  
Overall case length dimensions ± 1/8".

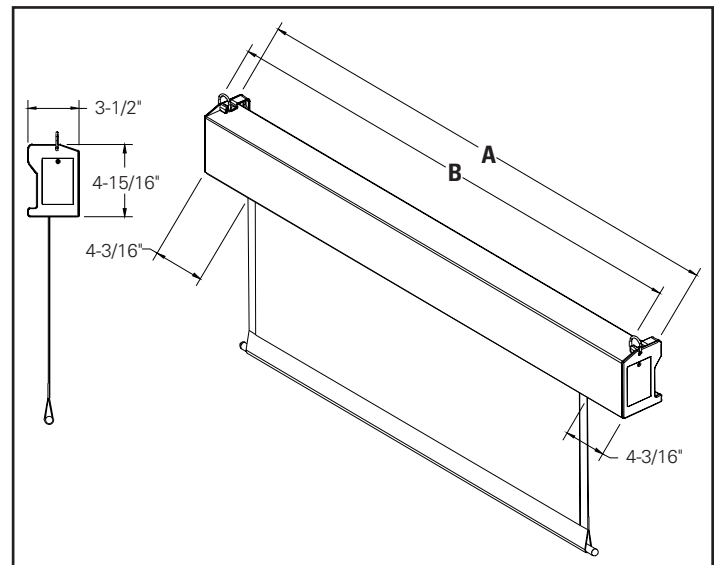
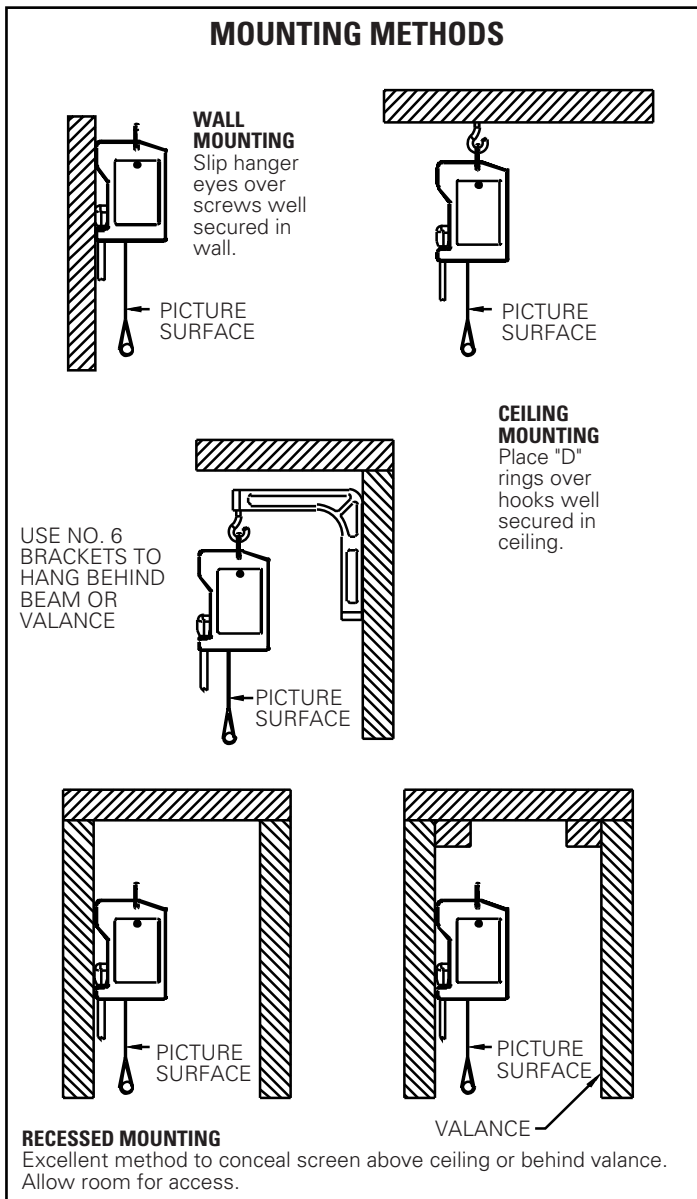
**WHEN ORDERING, MARK APPROPRIATE SELECTIONS:**

**Select viewing surface:**

- Matte White
- Glass Beaded

**Options:**

- 220 Volt (50 Hz) motor
- No borders (Black masking borders standard.)



Project: \_\_\_\_\_

Architect: \_\_\_\_\_

Phone: \_\_\_\_\_

Contractor: \_\_\_\_\_

Phone: \_\_\_\_\_

Supervisor: \_\_\_\_\_

Phone: \_\_\_\_\_

Supplier: \_\_\_\_\_

Date: \_\_\_\_\_

Revised: \_\_\_\_\_