

TECHNICAL DATA SHEET - Solid•Point™ Articulating Swing Arm

peerless
Solid Solutions - Solid Support

MODEL: PLA 1



The **PLA 1** allows multiple viewing positions within the same room. When retracted, the screen sits almost flush against the wall, or the articulating arm can be extended to maximum of 30.5" (77.5cm) from the wall. Three pivot points on the arm with 180 degree swivel create limitless viewing positions. Multiple attachment points on the wall plate are provided so the arm can be mounted at the center, or left/right of center on the wall plate. 18" wall plate mounts to two studs with 16" centers. Can only be mounted to wood studs, solid concrete, or concrete block with appropriate fasteners.

Features:

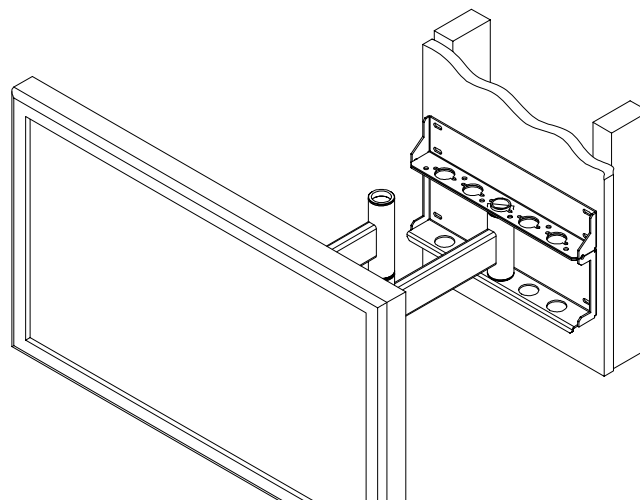
- Articulating arm can be center mounted or at four other points off center
- Arm extends up to 30.5" (77.5cm) away from wall for perfect viewing
- Three point swivel action
- Adjustable screen tilt up to 10°
- Bracket adds approximately 4" (10.2cm) to depth of screen
- Wire management contains and protects cords
- Screen mounts vertically or horizontally
- Mount allows for self-leveling adjustment for plasma to sit level at any angle
- Can only be mounted to wood studs, solid concrete, or concrete block with appropriate fasteners
- Heavy gauge cold rolled steel construction
- Scratch resistant black fused epoxy finish

Components of PLA 1:

- Wall plate
- Articulating arm
- Wood stud mounting hardware
- PLP adapter plate must be ordered separately

Accessories:

- Alligator® concrete anchors ACC 204



Note: Articulating arm and dedicated adapter plate sold separately

Dimensions:

Weight:

32.5 lbs. (14.8 kg)

Shipping weight:

35.37 lbs. (16.1 kg.)

Maximum Load Capacity:

125 lbs. (56.8 kg.)

Shipping Carton dimensions:

L= 19.5 in (495mm)

W= 16.25 in (413mm)

H= 7 in (178mm)

ALL DIMENSION = INCH (MM)

ARCHITECTS SPECIFICATIONS

The Articulating Swivel Arm shall be a Peerless model PLA1 and shall be located where indicated on the plans. It shall be constructed of heavy gauge cold rolled steel with 0°-10° adjustable tilt. The wall plate shall feature five mounting positions at 3" intervals. The finish shall be scratch resistant Black Fused Epoxy. Assembly and installation shall be done according to instructions provided by the manufacturer.

Peerless Industries, Inc.

1980 Hawthorne Ave. Melrose Park, IL 60160
708-865-8870 800-865-2112 Fax 708-865-2941

www.peerlessindustries.com

ISSUED: 06/19/02 SHEET NO: 200-9705-3 07-19-02

©2002 Peerless Industries, Inc. All rights reserved.
Peerless is a registered trademark of Peerless Industries, Inc.

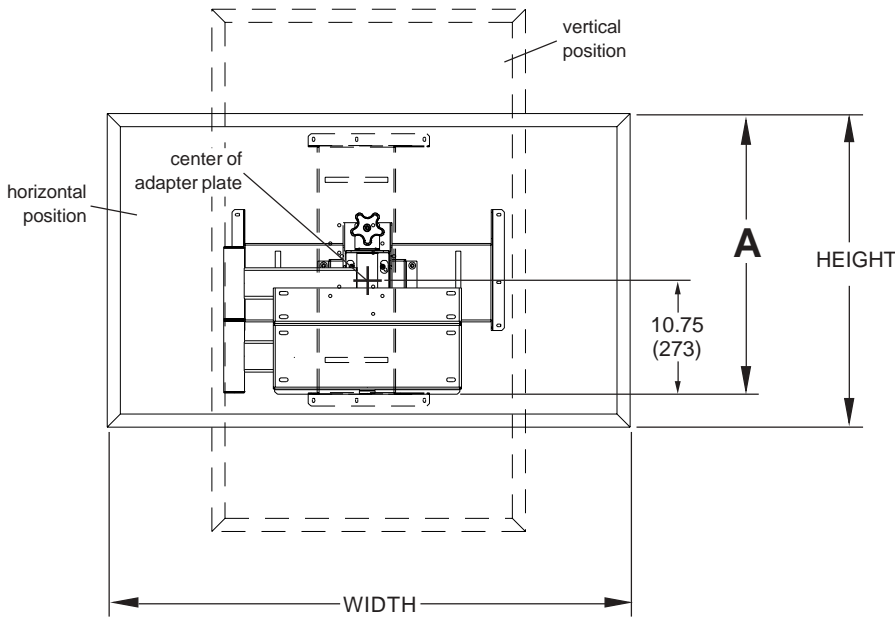
TECHNICAL DATA SHEET

MODEL: PLA 1

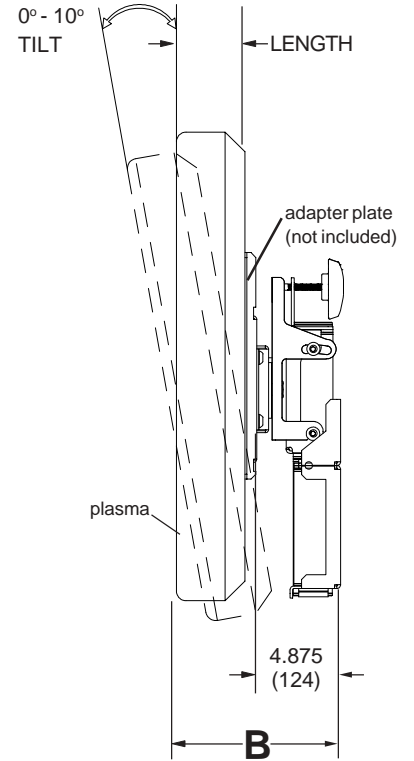
A = 1/2 HEIGHT OF PLASMA + 10.7

B = DEPTH OF PLASMA + .75" + 4.875"

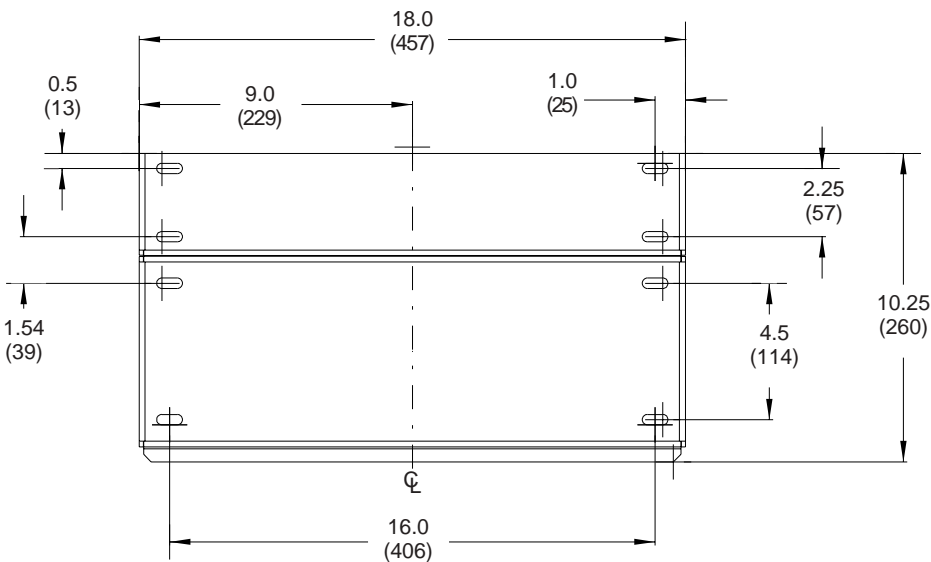
ALL DIMENSIONS = INCH (MM)



FRONT VIEW



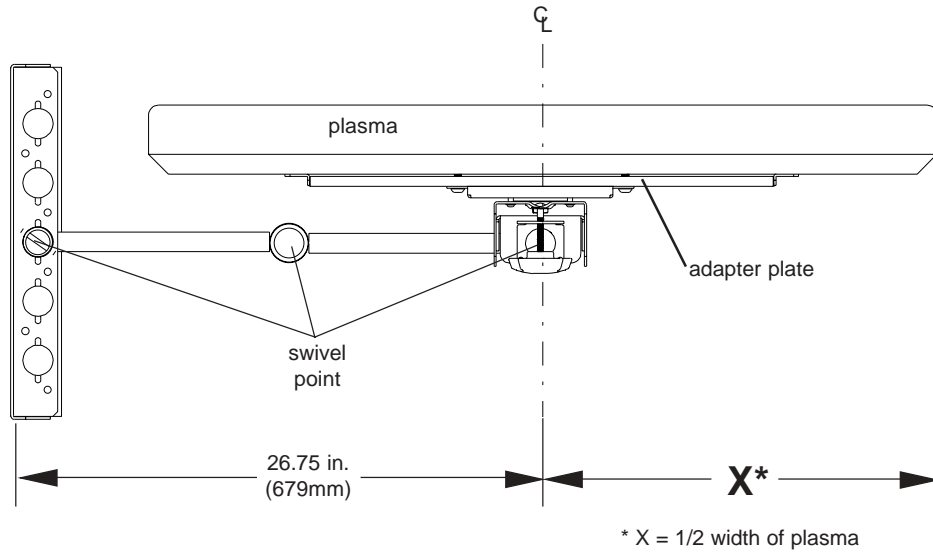
SIDE VIEW



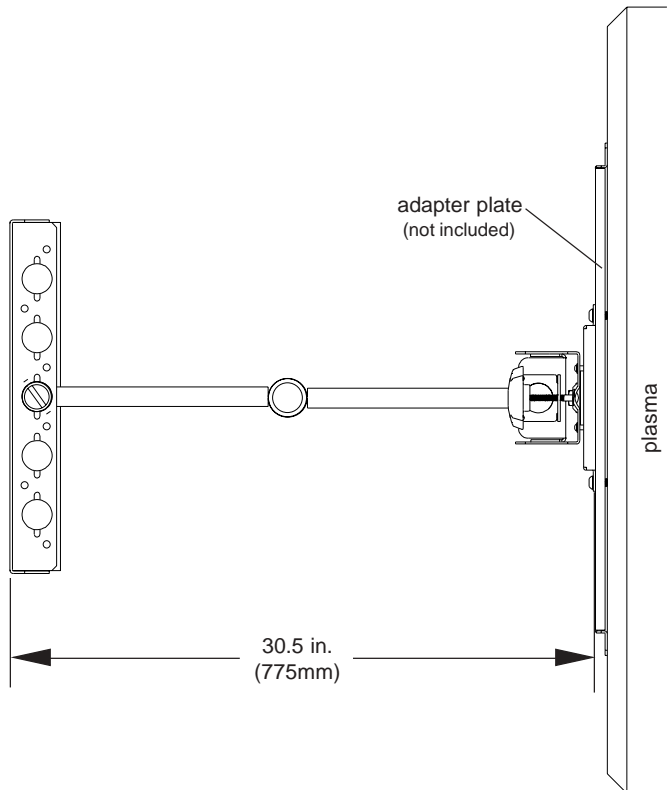
WALL PLATE DETAIL

TECHNICAL DATA SHEET

MODEL: PLA 1



TOP VIEW (A)



TOP VIEW (B)